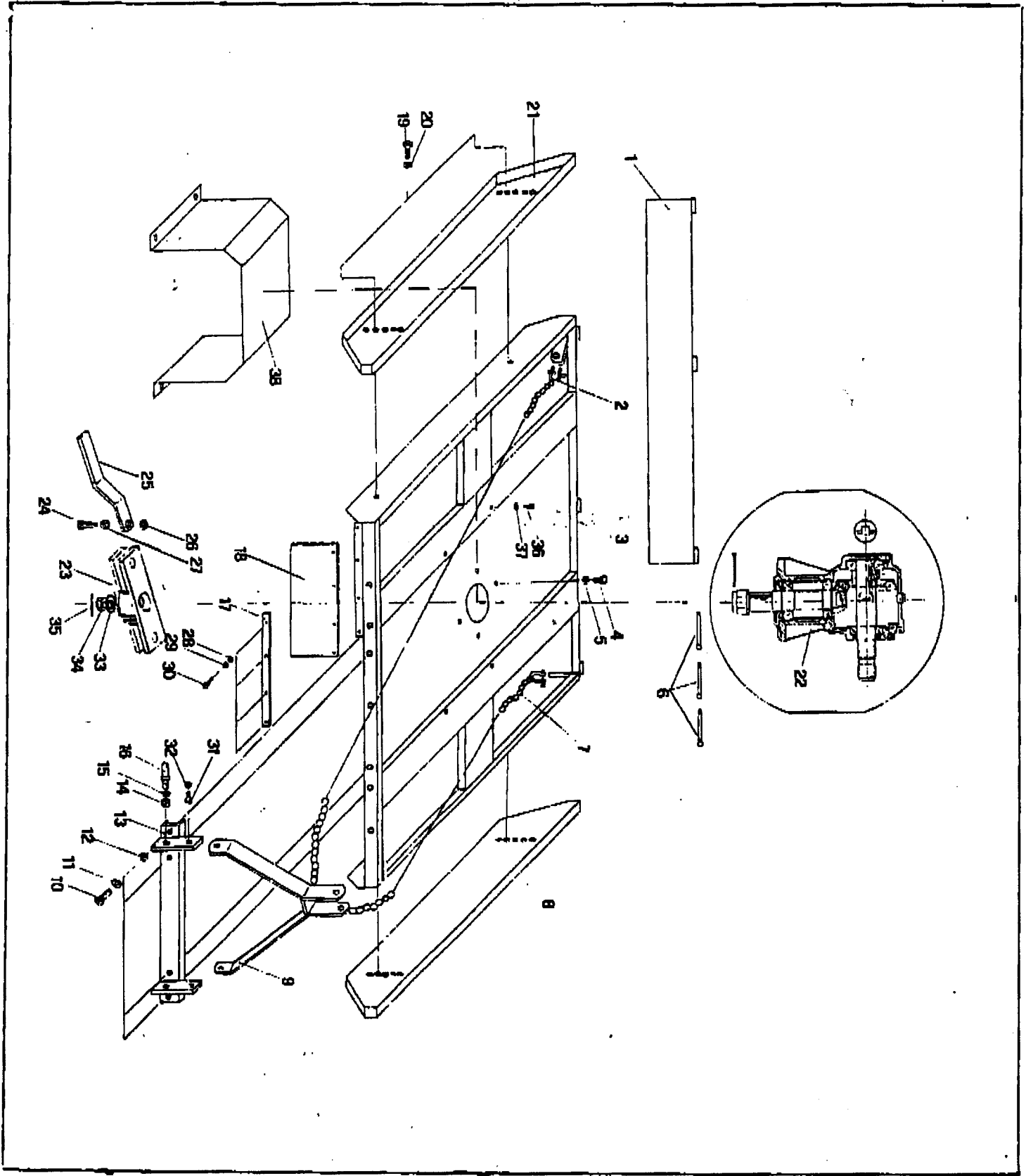




Farm & Garden Equipment  
**DelMorino**

I-52033 Caprese Michelangelo AR Italy  
Ph: +39-575-791059 Fax: +39-575-791210  
E.mail: 100710.3101@compuserve.com  
http: www.Italia.com/Delmorino

Gyrobroyeur type G 100-120-150/2  
Liste parts





Farm & Garden Equipment  
**Del Morino**

Del Morino srl, v. Caroni di Sotto 19,  
 I-52033 Caprese Michelangelo AR Italy  
 Ph: +39-575-791059 Fax: +39-575-791210  
 E-mail: 100710.3101@compuserve.com  
 http://www.italia.com/Delmorino

Part list  
 Rotary Slasher DMG 100-120-150/2 type

PART LIST					
REF.	DESCRIPTION	CODE #	DMG 100	DMG 120	DMG 150/2
1	Posterior protection P-100	50230	1		
1	Posterior protection P-120	50231		1	
1	Posterior protection P-150/2	50232			1
2	Hook for chain	50234		2	
3	Frame C-100	50235	1		
3	Frame C-120	50236		1	
3	Frame C-150/2	50237			1
4	Screw 16x35 ISO 4017 UNI 5739 DIN 933	50240		4	
5	Nut M16	50024		4	
6	Pin posterior protection	50243		3	
7	Chain C-101	50244	1		
7	Chain C-121	50245		1	
7	Chain C-151/2	50246			1
8	Width reg. skid S-100	50249	2		
8	Width reg. skid S-120	50250		2	
8	Width reg. skid S-150	50251			2
9	Three point hitch B-1	50253	1	1	
9	Three point hitch B-2	50254			1
10	Screw 16x35 ISO 4017 UNI 5739 DIN 933	50240	4	4	
10	Screw 18x40 ISO 4017 UNI 5739 DIN 933	50255			4
11	Washer D16 ISO 7089 UNI 6592 DIN 125A	50064	4	4	
11	Washer D18 ISO 7089 UNI 6592 DIN 125A	50256			4
12	Nut D16	50024	4	4	
12	Nut D18	50027			4
13	Three point hitch B-11 trame	50257	1	1	
13	Three point hitch B-22 trame	50258			1
14	Nut M 24	50500		2	
15	Washer D 24	50501		2	
16	Pin three point C.I°	50259	2	2	
16	Pin three point C.I- II°	50260			2
17	Fixation tyre plate F-100	50262	1		
17	Fixation tyre plate F-120	50263		1	
17	Fixation tyre plate F-150	50264			1
18	Former protection tyre P-101	50266	1		
18	Former protection tyre P-121	50267		1	
18	Former protection tyre P-151	50268			1
19	Screw 16x35 ISO 4017 UNI 5739 DIN 933	50240	4	4	
19	Screw 18x45 ISO 4017 UNI 5739 DIN 933	50271			4
20	Washer D16 ISO 7089 UNI 6592 DIN 125A	50064	4	4	
20	Washer D18 ISO 7089 UNI 6592 DIN 125A	50272			4
21	Width reg. skid S-100	50249	2		
21	Width reg. skid S-120	50250		2	
21	Width reg. skid S-150	50251			2
22	Reduction gear box R-141	50277	1		
22	Reduction gear box R-135	50278		1	1
23	Take blade plate PL-100	50281	1		



*Farm & Garden Equipment*  
**Del Morino**

Del Morino srl , v.Caroni di Sotto 19,  
 I-52033 Caprese Michelangelo AR Italy  
 Ph: +39-575-791059 Fax: +39-575-791210  
 E.mail: 100710.3101@compuserve.com  
 http://www.italia.com/DelMorino

Part list  
 Rotary Slasher DMG 100-120-150/2 type

PART LIST					
REF.	DESCRIPTION	CODE #	DMG 100	DMG 120	DMG 150/2
23	Take blade plate PL-120	50282		1	
23	Take blade plate PL-150/2	50283			1
24	Screw 20x55 ISO 4014 UNI 5737 DIN 931	50286		2	
25	Blade L- 400	50287	2		
25	Blade L- 490	50288		2	2
26	Nut M 20	50291		2	
27	Distance washer ring A-100	50292	2		
27	Distance washer ring A-120	50293		2	2
28	Nut M 8	50025	3	4	4
29	Washer D 8 ISO 7089 UNI 6592 DIN 125A	50004	3	4	4
30	Screw 8x30 ISO 4017 UNI 5739 DIN 933	50294	3	4	4
31	Screw 20x60 ISO 4014 UNI 5737 DIN 931	50295		2	
32	Nut M 20	50242		2	
33	Washer R-141	50232	1		
33	Washer R -135	50233		1	1
34	Nut E-141	50235	1		
34	Nut E-135	50236		1	1
35	Split pin G-141 UNI 1336 DIN 94	50294	1		
35	Split pin G-135 UNI 1336 DIN 94	50295		1	1
36	Screw 10x20 ISO 4017 UNI 5739 DIN 933	50300		4	
37	Washer D10 ISO 7089 UNI 6592 DIN 125A	50301		4	
38	Gear box cover	50302		1	